

**SPECIFICATIONS**

**Material:** HEXSEALS: Silicone rubber conforms to A-A-59588 Class III, GR 60 (unless otherwise specified)

**Mounting Nut:** HEXSEALS: Brass, nickel-plated

**Temperature Range:** HEXSEALS: -94°F to +400°F

**Pressure Range:** Exceeds 15 psi internal and 1500 psi external.  
(N5032B: 10 psi)

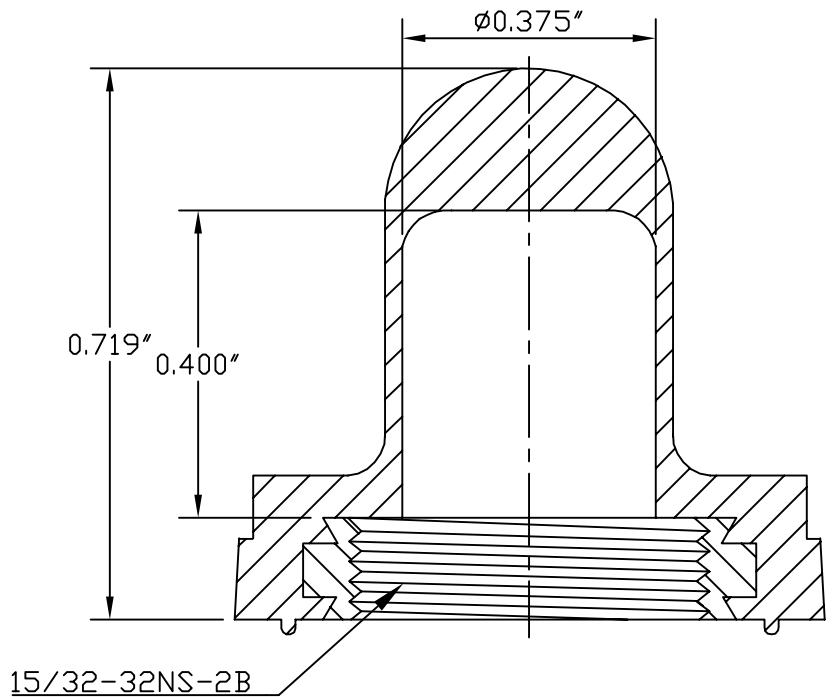
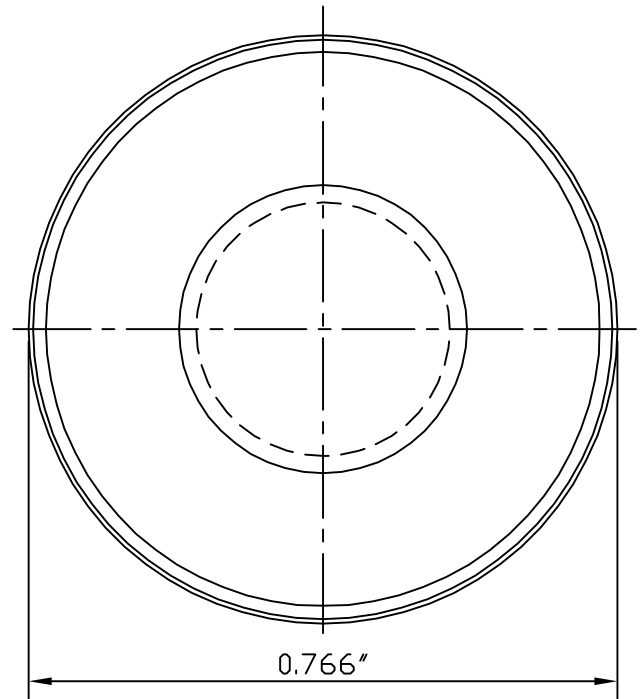
**Operational Life:** 50,000 actuations (minimum).

**Shelf Life:** Excess of 25 years.

**Resistant to:** Salt spray, sunlight, ozone, weather, fungus, and most acids and lubricating oils

**Agency Recognition:** E-SEELS and HEXSEALS are UL-listed to UL Std. 50 types 1-13, and meet CSA standards.

**Installation:** If a reducing adaptor is required - see page 14 of HEXSEAL catalog HEX200 for part numbers and drawing.



B	MAT'L CHANGED	S. GOK	09.08.09
A	CAD COMPUTER GENERATED		09.23.02
REV.	DESCRIPTION	DATE	
	BOOT PLUNGER (1221/15)	ENG. CARBONE	05.13.69
		DWN. NICK	05.13.69
		CHKD. J. CELLA	09.08.09
MAXIMUM AND MINIMUM MEASUREMENTS ARE STATED DIRECTLY ON EACH DIMENSION.	TITLE:	SCALE	DWG. NO.
MAT'L: Silicone Rubber PER A-A-59588 Gr.60	APM-HEXSEAL CORPORATION	3:1	(1221/15) E-SEEL®
FINISH: GRAY			

THIS DRAWING COVERS PROPRIETARY ITEM AND IS THE PROPERTY OF THE APM-HEXSEAL CORPORATION.  
THIS DRAWING IS NOT TO BE COPIED OR USED WITHOUT THE WRITTEN APPROVAL OF AN OFFICER OF THE APM-HEXSEAL CORPORATION.